



PBR Roof, Walls and Soffit

PBR is an attractive roof and architectural wall panel. This panel is commonly used for steel buildings.

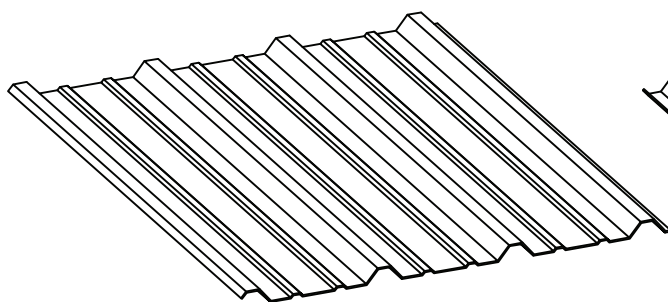
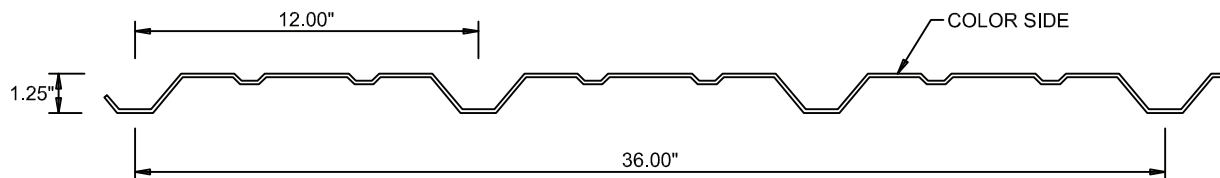
CORE FEATURES

- Coverage Width: 36"
- Panel Rib Height: 1-1/4"
- Panel Attachment: Through Fastener
- Gauges: 26 Gauge Standard, 24 Gauge Optional
- Custom MFG. Panel Lengths: 2'-6" up to 45'-0" (Inquire for Longer)
- Siding Installations: Vertical or Horizontal
- Finishes: Smooth
- Coatings: SMP, Cool PVDF and Zinalume Plus
- Panels are available in Reversed Rolled (Wall and Soffit Only)
- Formed ridge available up to a 5:12 pitch (2'-6" Long per Side)

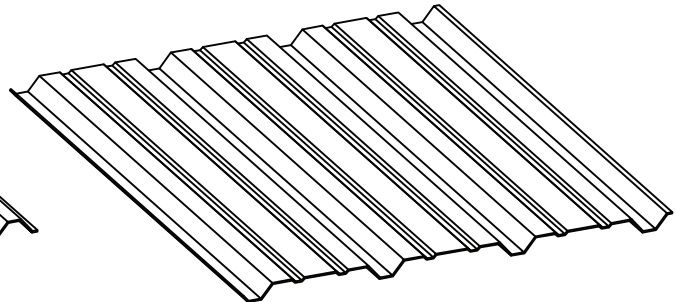
PBR PANEL



REVERSED ROLLED PBR PANEL



PBR PANEL



REVERSED PBR PANEL