



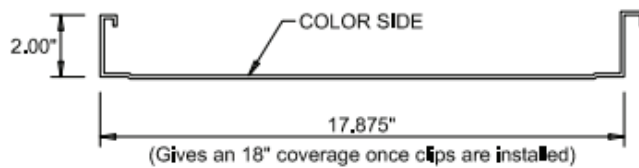
SSR-218 Roof System

SSR-218 Panel is our most commonly specified standing seam panel for low slope applications. This panel is mechanically field seamed, offering both superior structural performance while maintaining architectural aesthetics.

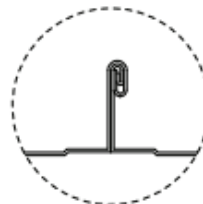
CORE FEATURES

- Coverage Width: 18"
- Panel Rib Height: 2"
- Panel Attachment: Concealed Fastener w/ Panel Clips
- Gauges: 24 Gauge Standard, 22 Gauge Optional
- Custom MFG. Panel Lengths: 1'-0" up to 45'-0" (Inquire for Longer)
- Finishes: Smooth or Striated
- Coatings: Zinalume Plus, Cool PVDF and PVDF Printech Wood Grain Series

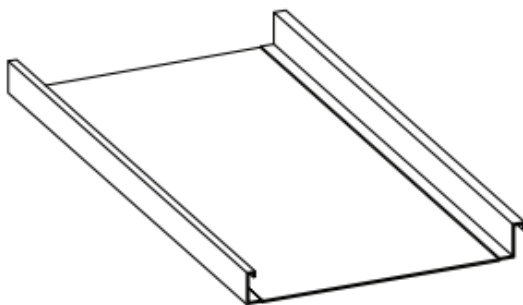
SSR-218 PANEL



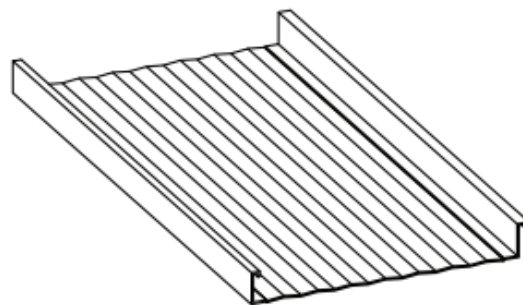
90° SEAM



180° SEAM
(Suggested for 1:12 pitch roof)



FLAT



STRIATED