



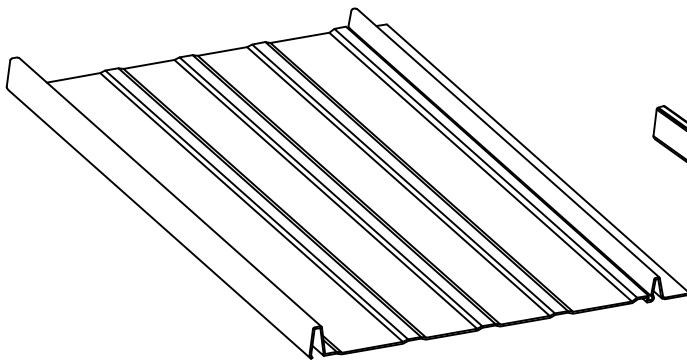
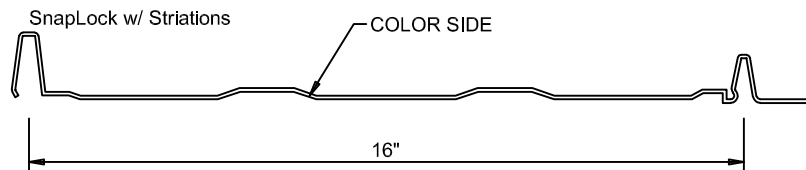
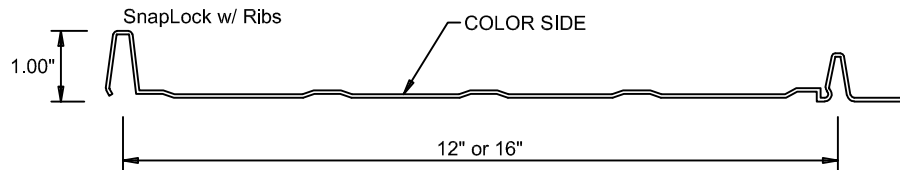
Snap Lock Roof System

Snap Lock Panel is a low profile concealed fastener roof system. These panels are extremely durable and weather resistant. Commonly used for residential applications. Available in two panel widths.

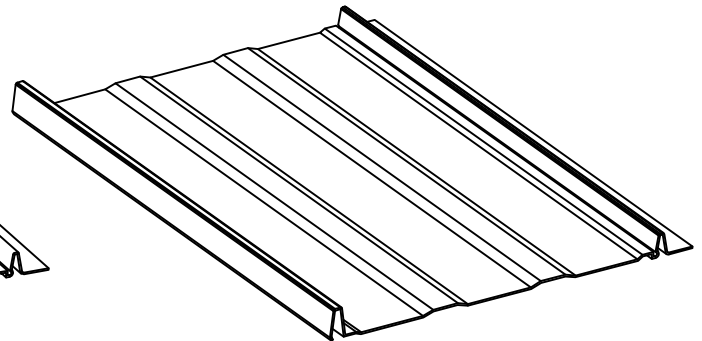
CORE FEATURES

- Coverage Width: 12" or 16"
- Panel Rib Height: 1"
- Panel Attachment: Concealed Fastener
- Gauges: 24, 26 & 29 Gauge
- Custom MFG. Panel Lengths: 3'-0" up to 45'-0" (Inquire for Longer)
- Siding Installations: Vertical
- Finishes: Minor ribs or Striations
- Coatings: Zinalume Plus, Cool SMP, Cool PVDF and PVDF Printech Wood Grain Series

SNAP LOCK PANEL



SnapLock w/ Ribs



SnapLock w/ Striations